

MOTIVACTION

HIGH PERFORMANCE DEEP CYCLE BATTERY

M105

PRODUCT DETAILS

Model : M105
 Voltage : 6V
 Battery : Deep Cycle Flooded Lead Acid Battery
 Material : Polypropylene



PHYSICAL SPECIFICATIONS

BCI Size	Voltage (V)	Dimension (mm)				Electrolyte Quantity (L)	Weight (kg)
		Length	Width	Height	Total Height		
GC2	6	259	179	245	278	5.7	28.2

ELECTRICAL SPECIFICATIONS

Reserved Capacity (mins)		Capacity Amp-Hours (Ah)				Energy (KWh)
@25 Amps	@75 Amps	5-hr	10-hr	20-hr	100-hr	
488	132	185	207	225	250	1.35

CHARGING INSTRUCTIONS


System Voltage	6V	8V	12V	24V	36V	48V
Bulk Charge	7.4	9.9	14.8	29.6	44.5	59.3
Float Charge	6.7	9.0	13.5	27.0	40.5	54.0
Equalize Charge	8.1	10.8	16.2	32.4	48.6	64.8

*Charger voltage settings (at 25°C). Do not install or charge batteries in a sealed or non-ventilated compartment. Constant under or overcharging will damage the battery and shorten its life as with any battery

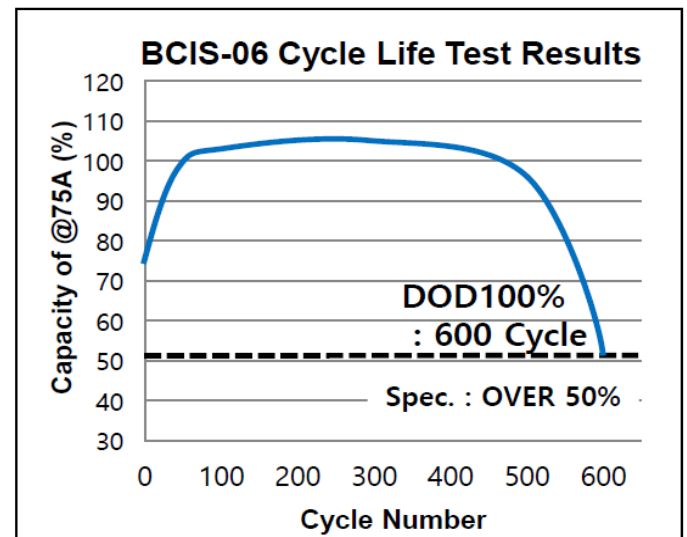
**Delta-Q Reference: Algorithm ID 3

Charging Temperature	
above 25°C	Subtract 0.005V per cell for every 1°C above 25°C
below 25°C	Add 0.005V per cell for every 1°C below 25°C
Operational Data	
Operating Temperature	-20°C to +45°C *At temperatures below 0°C maintain SOC>60%
Discharge	5-15% per month discharge depending on storage temperature conditions

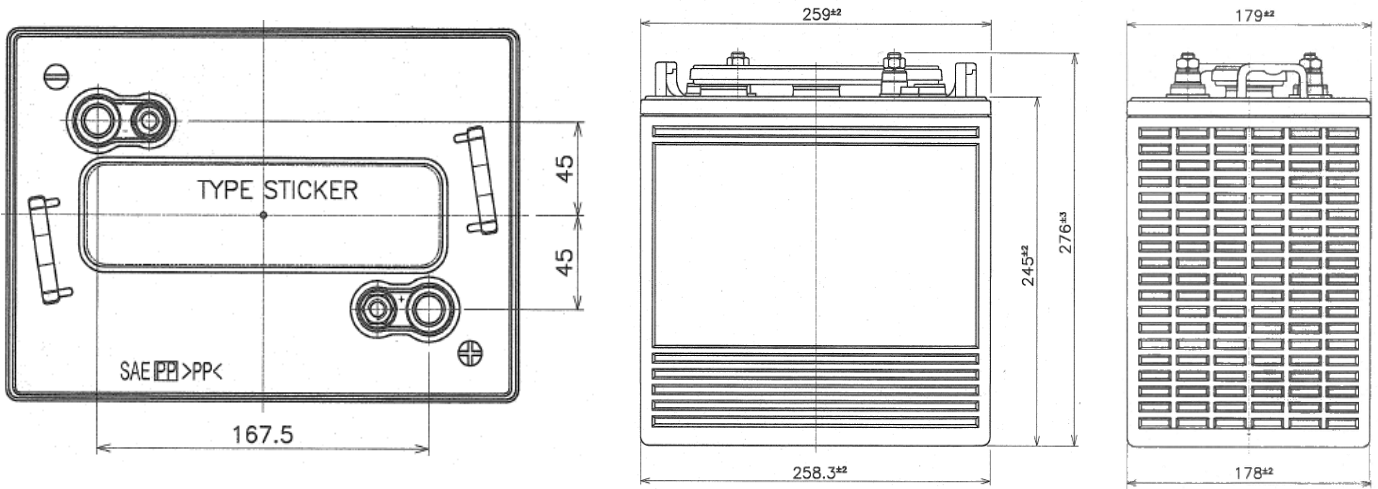
TERMINAL CONFIGURATION

EHPT	Embedded High Profile Terminal	
	Terminal Height	38 mm
	Torque Value	11-12 Nm
	Bolt	5/16"

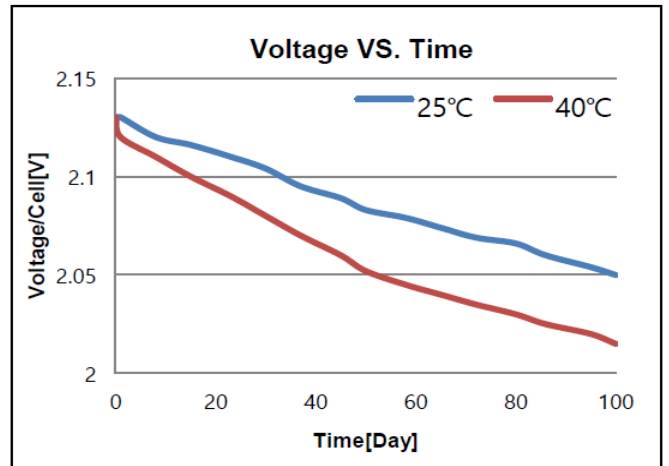
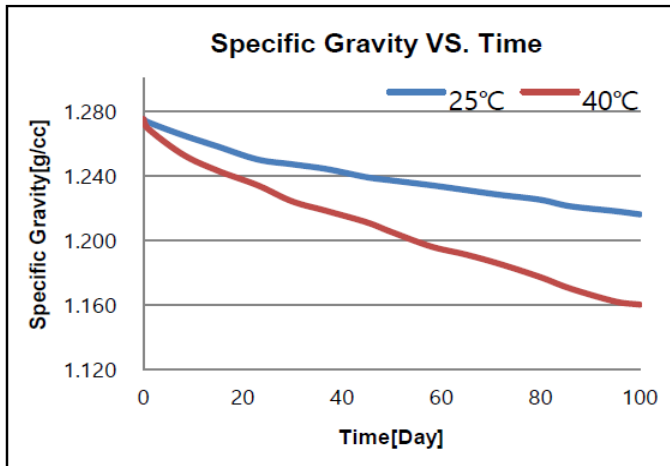
CYCLE SERVICE LIFE: BCIS-06 [100% DOD @ 27°C]



BATTERY DIMENSIONS



SELF DISCHARGE DATA



CAPACITY BY DISCHARGE CURRENT

