


PRODUCT DETAILS

PRODUCT CODE	MFN150L	
WARRANTY	24 months (Commercial Use) *	
CHARACTERISTIC	Sealed Maintenance Free Lead Acid Battery	
GROUP SIZE	G51	
CASE AND LID	Material : Polypropylene (PP)	
	Handle : 2 pc Rope	
	Ledges : Front No (NL)	
	Venting : Centralized system with System : Degassing vents on sides	

DIMENSIONS, WEIGHT, AND LAYOUT

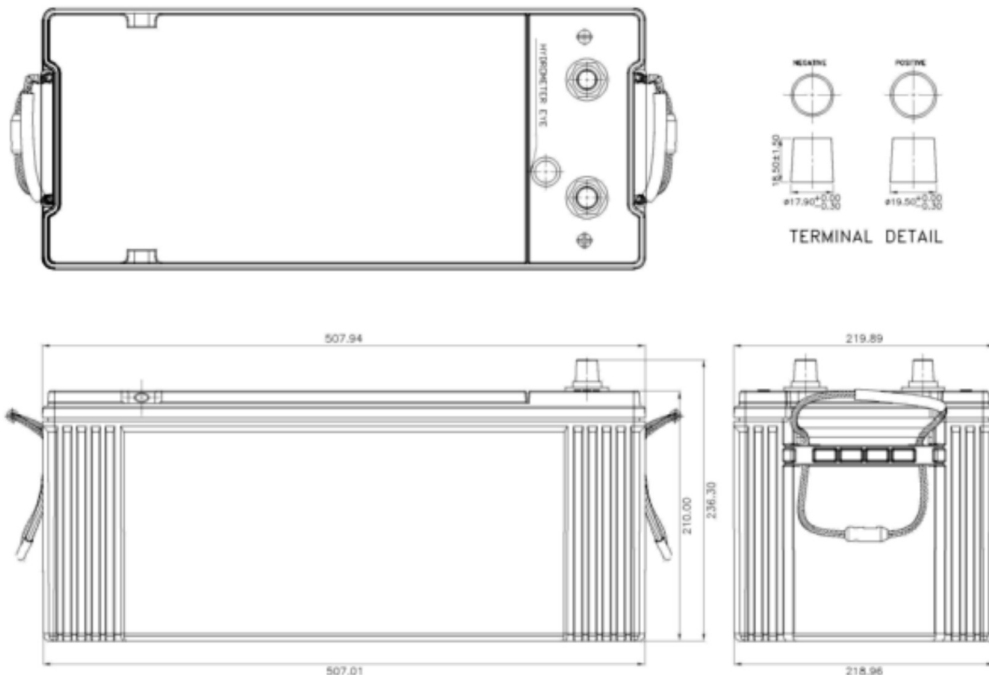
OVERALL DIMENSIONS	METRIC
LENGTH, mm	508
WIDTH, mm	220
CASE HEIGHT, mm	210
TOTAL HEIGHT, mm	236
APPROXIMATE WEIGHT, kg	42.38

TERMINAL DATA	METRIC
TYPE	SAE
TERMINAL HEIGHT, mm	18.5±1.5
BOTTOM DIAMETER, mm	Positive: 19.5+0/-0.3 Negative: 17.9+0/-0.3
TAPER	1:9
POLARITY	F (Positive Left)

CAPACITY SPECIFICATIONS

COLD CRANKING AMPS (CCA)	1000 CCA
AMPERE-HOUR AT 20-HOUR CAPACITY	165 Ah
RESERVE CAPACITY (RC)	330 mins

MAX CHARGING VOLTAGE	14.8 V at 25°C
FLOAT CHARGING VOLTAGE	13.5 V – 13.8 V at 25°C
OPERATING TEMPERATURE	-40°C to 80°C** Optimal Temperature: 25°C ± 5°C



*Warranty terms and conditions apply.

**Based on normal engine bay temperature.

(Note) The company reserves the right to update the information above without prior notice.