


PRODUCT DETAILS

PRODUCT CODE	MRV50	
WARRANTY	24 months (Private/Commercial Use) *	
CHARACTERISTIC	Accessible Maintenance Free Lead Acid Battery	
GROUP SIZE	N50	
CASE AND LID	Material : Polypropylene (PP)	
	Handle : 1 pc Plastic	
	Ledges : Front Ledge (FL)	
	Venting : Centralized system with	
	System : Degassing vents on sides	

DIMENSIONS, WEIGHT, AND LAYOUT

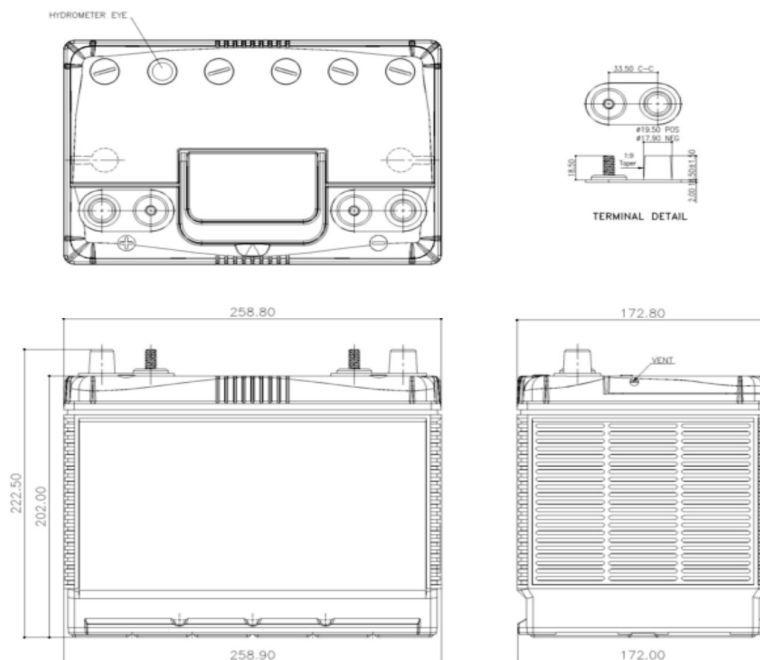
OVERALL DIMENSIONS	METRIC
LENGTH, mm	259
WIDTH, mm	173
CASE HEIGHT, mm	202
TOTAL HEIGHT, mm	223
APPROXIMATE WEIGHT, kg	20.23

TERMINAL DATA	METRIC
TYPE	Dual Marine
TERMINAL HEIGHT, mm	18.5±1.5
BOTTOM DIAMETER, mm	Positive: 19.5+0/-0.3 Negative: 17.9+0/-0.3
TAPER	1:9
POLARITY	D (Positive Left)

CAPACITY SPECIFICATIONS

COLD CRANKING AMPS (CCA)	650 CCA
AMPERE-HOUR AT 20-HOUR CAPACITY	80 Ah
RESERVE CAPACITY (RC)	140 mins

MAX CHARGING VOLTAGE	14.8 V at 25°C
FLOAT CHARGING VOLTAGE	13.5 V – 13.8 V at 25°C
OPERATING TEMPERATURE	-40°C to 80°C** Optimal Temperature: 25°C ± 5°C



*Warranty terms and conditions apply.

**Based on normal engine bay temperature.

(Note) The company reserves the right to update the information above without prior notice.