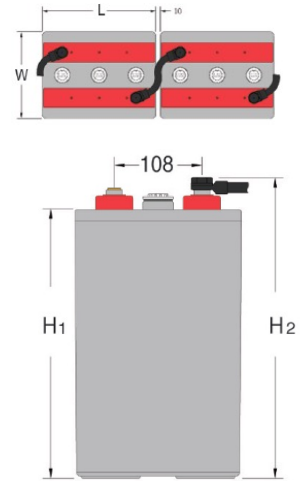


ARG-6V-4-OPzV-250 DATA SHEET

| TECHNICAL CHARACTERISTICS | |
|----------------------------------------------------------------------------------------------------|-----------------------------|
| Capacity (Ah), C120 (1,85 V/cell, 20°C) | 287 |
| Capacity (Ah), C10 (1,80 V/cell, 20°C) | 220 |
| Number of plates (+) per cell | 4 |
| Floating voltage set point (V/cell) | 2,25 |
| Maximum initial charge current (A) | 0,3 C10 |
| Recommended Boost Charge Voltage (V/cell) | 2,35 |
| Recommended End of Discharge voltage for 120-hr rate (V/cell) | 1,85 |
| Short circuit current (A) | 2640 |
| Internal resistance (mOhm) | 2,325 |
| Number of cycles at 60% depth of discharge (20°C) | 2000 |
| Self-discharge rate per month at 20 °C | Approx. 2% |
| Dimensions in mm (LxWxH1/H2) H1 = Height to the lid H2 = Height including connectors & bolts | 272 x 205 x 332 x 372 |
| Weight (kg) | 48,5 |
| Type and number of poles | M10 / 2 |
| Operating Temperature / Recommended Temperature | -20°C to 45°C / 10°C - 30°C |



*All dimensions and weights shown are subject to manufacturing tolerances.

** Vertical installation is the default installation for the cells. For horizontal installation special cells are available upon customer request.

CONSTANT CURRENT DISCHARGE IN A (AT 20°C)

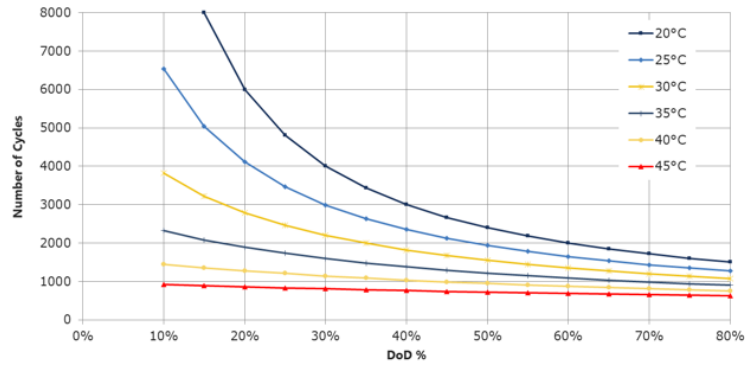
| End Voltage (V/cell) | DISCHARGE TIME | | | | | | | | | | |
|----------------------|----------------|-------|-------|-------|------|------|------|-------|-------|-------|-------|
| | 10 h | 12 h | 20 h | 24 h | 48 h | 50 h | 72 h | 100 h | 120 h | 168 h | 240 h |
| 1,80 V | 22,00 | 18,91 | 12,26 | 10,47 | 5,68 | 5,47 | 3,93 | 2,90 | 2,44 | 1,77 | 1,24 |
| 1,83 V | 21,38 | 18,42 | 12,01 | 10,28 | 5,60 | 5,40 | 3,88 | 2,87 | 2,41 | 1,75 | 1,23 |
| 1,85 V | 20,73 | 17,90 | 11,73 | 10,06 | 5,51 | 5,32 | 3,83 | 2,83 | 2,39 | 1,73 | 1,22 |
| 1,90 V | 18,39 | 15,94 | 10,56 | 9,08 | 5,07 | 4,89 | 3,56 | 2,66 | 2,25 | 1,65 | 1,17 |
| 1,92 V | 17,18 | 14,92 | 9,93 | 8,56 | 4,81 | 4,64 | 3,39 | 2,54 | 2,15 | 1,58 | 1,12 |
| 2,00 V | 10,87 | 9,54 | 6,57 | 5,73 | 3,36 | 3,26 | 2,42 | 1,84 | 1,57 | 1,16 | 0,83 |

CONSTANT POWER DISCHARGE IN W/CELL (AT 20°C)

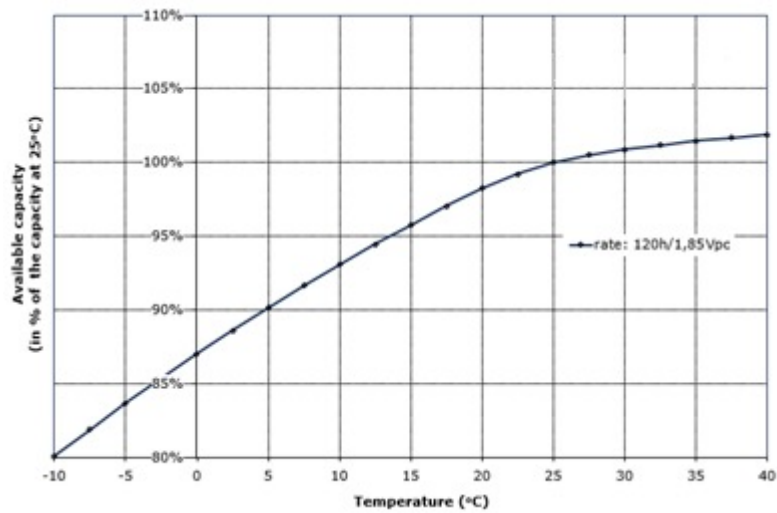
| End Voltage (V/cell) | DISCHARGE TIME | | | | | | | | | | |
|----------------------|----------------|-------|-------|-------|-------|-------|------|-------|-------|-------|-------|
| | 10 h | 12 h | 20 h | 24 h | 48 h | 50 h | 72 h | 100 h | 120 h | 168 h | 240 h |
| 1,80 V | 42,71 | 36,80 | 24,03 | 20,57 | 11,26 | 10,86 | 7,83 | 5,80 | 4,90 | 3,56 | 2,52 |
| 1,83 V | 41,58 | 35,93 | 23,59 | 20,23 | 11,12 | 10,73 | 7,75 | 5,75 | 4,86 | 3,53 | 2,50 |
| 1,85 V | 40,41 | 34,97 | 23,08 | 19,82 | 10,96 | 10,58 | 7,66 | 5,69 | 4,81 | 3,50 | 2,48 |
| 1,90 V | 36,15 | 31,39 | 20,91 | 18,03 | 10,14 | 9,79 | 7,16 | 5,36 | 4,55 | 3,34 | 2,37 |
| 1,92 V | 33,90 | 29,49 | 19,74 | 17,05 | 9,65 | 9,32 | 6,84 | 5,13 | 4,36 | 3,21 | 2,29 |
| 2,00 V | 21,83 | 19,19 | 13,27 | 11,60 | 6,85 | 6,64 | 4,96 | 3,78 | 3,23 | 2,40 | 1,73 |



EXPECTED NUMBER OF CYCLES VS. DOD



CAPACITY VS. TEMPERATURE



GUIDANCE FOR THE INITIAL LOW-VOLTAGE DISCONNECT SETTINGS (25°C REFERENCE TEMPERATURE)

