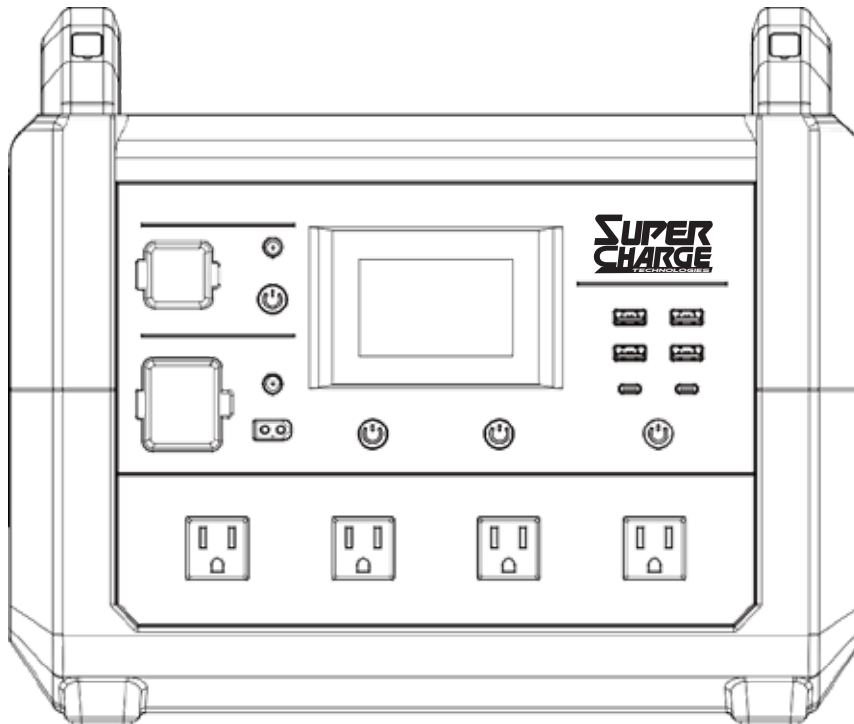


SUPER CHARGE TECHNOLOGIES

Portable Power Station

SPB1500

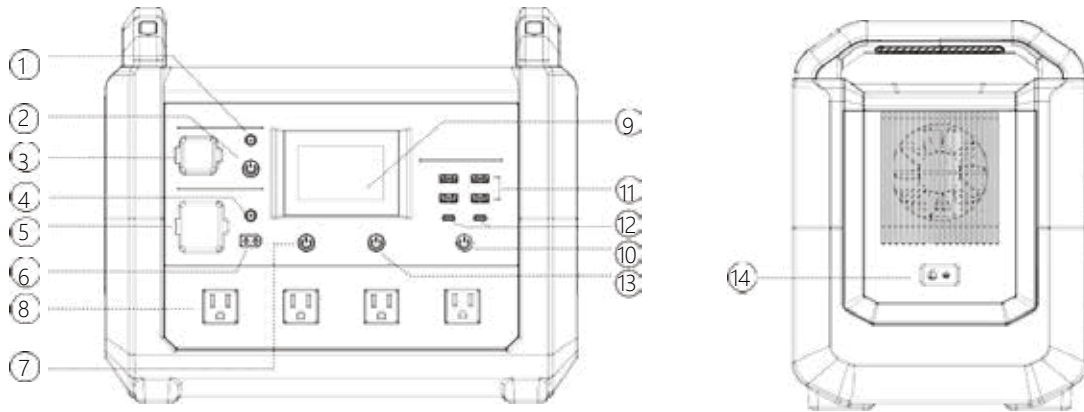


User's Manual

CAUTION!

Thank you for purchasing our energy storage series products. Please read the user's manual carefully before using the product and keep it well. This manual helps you to operate this equipment correctly. But this is not an introduction to hardware and software configuration. For any product configuration, please refer to the relevant contract or consult your dealer. The pictures in this manual are for reference only, thank you.

INTRODUCTION

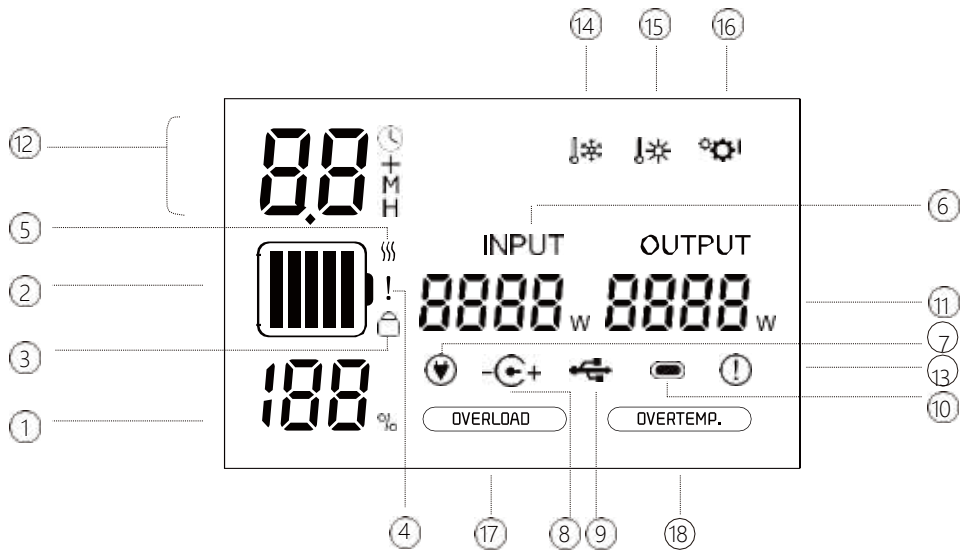


- | | | | |
|--------------------|--------------------|-------------------------|---------------------|
| ① DC Output Port | ⑤ AC Input Port | ⑨ LCD Display | ⑬ Main Power Button |
| ② DC ON/OFF Switch | ⑥ Solar Input Port | ⑩ USB ON/OFF Switch | ⑭ Ground Connection |
| ③ Car Socket | ⑦ AC ON/OFF Switch | ⑪ QC3.0 USB-A Ports x4 | |
| ④ DC Input Port | ⑧ AC Output Ports | ⑫ PD100W USB-C Ports x2 | |

SPECIFICATION

Capacity		1536Wh (25.6V/60Ah)	
Battery Type		LiFeP04	
Input	AC	600W Max. (90~120V/60Hz)	
	XT60	12-30V/Max 10A (Max 300W)	
	DC 5521	12-30V/Max 7A (Max 200W)	
Inverter Waveform		Pure Sine Wave	
AC Output	US/JP 4*AC output port	AC 100-120V~ 50/60Hz Rated Power: 1500W	Peak Power: 1550~1800W/5 minutes 2000W/1 minutes 2300W/0.5 seconds
	EU/AU 4*AC output port	AC 200-240V~ 50Hz Rated Power: 1500W	
DC Output	2x USB-C	PD 100W (5V/9V/12V/15V/20V, Max 5A)	
	4x USB-A	QC3.0 (5V/3A, 9V/2A,12V/1.5A) per port Max.18W	
	1x Car Socket	13.6V/8A, Max 108.8W	Total share 8A Max
	2x DC5521	13.6V/8A, Max 108.8W	

LCD DISPLAY



Battery Information indication	①	188%	Battery Power Level %	④	!	Battery failure/Low voltage indicate
	②		Battery Power Level	⑤	⋯	Battery high/low temperature indication
	③		Battery lock protection			
Input indication	⑥	INPUT 8888w	Input power			
Output indication	⑦		AC Output Icon	⑩		USB-C Output Icon
	⑧	-C+	DC/ Car Outlet Output	⑪	OUTPUT 8888w	Output power
	⑨		USB-A Output Icon			
Remaining time C indication	⑫	88:00	Remaining discharge charge time		M	Minutes
					H	Hours
Protection indication	⑬	!	Functional failure	⑯	⚙️!	System failure indication
	⑭		Low temperature indication	⑰	OVERLOAD	Overload protection indication
	⑮		Over temperature indication	⑱	OVERTEMP.	Over temperature protection indication

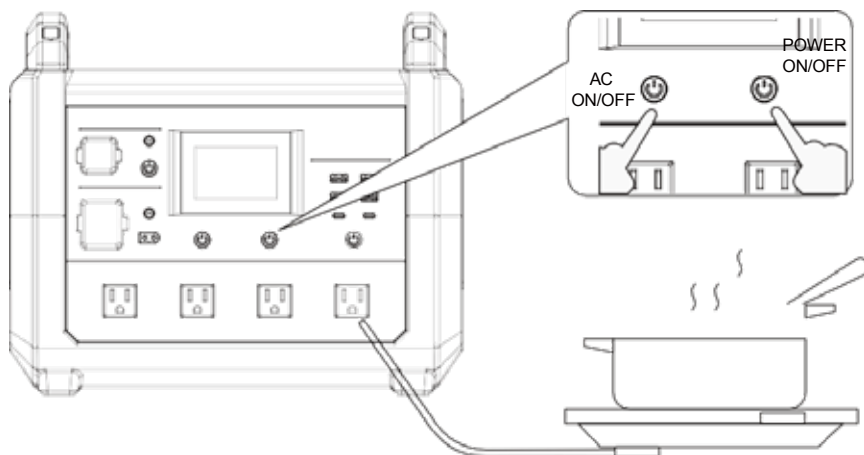
CAUTION

- If there is no operation for 3 minutes when the product is working, the screen automatically turn off and the power indicator enter into "breathing light" mode. Click the On/off button to light on the screen, the power indicator enter into the "on" mode. When switch on the portable power station with all the output port switch off and without charge. The portable power station will switch off automatically if there is no any other operations within 10 minutes
- During the operation, you can press the On/Off button to light on/off the screen display at any time.
- The screen will not automatically turn off the display when there is any protection start-up prompt or abnormal alert. The screen automatically turn off function will only be activated after the fault is solved.

HOW TO USE THE AC OUTPUT FUNCTION

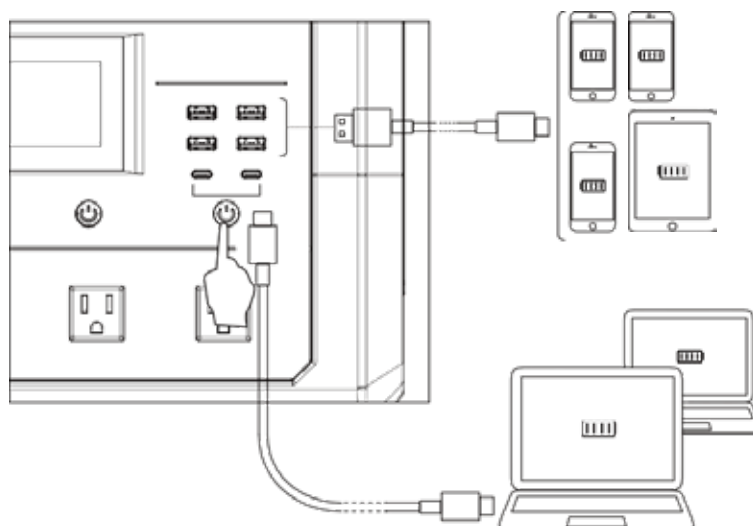
Under the condition that the total power does not exceed 1500W, all AC outlets can work together at the same time.

1. Long press the main power button 3S to turn on. The main power indicator and the screen lights up, enter the standby state.
2. Plug in AC appliances.
3. Press the AC on/off switch to turn on the AC output function. The product starts to supply power to external AC appliances.
4. Long press the AC power on/off switch to turn off the AC output.
5. When not using the product for a long time please long press the main power switch for 3S to turn off to save power.



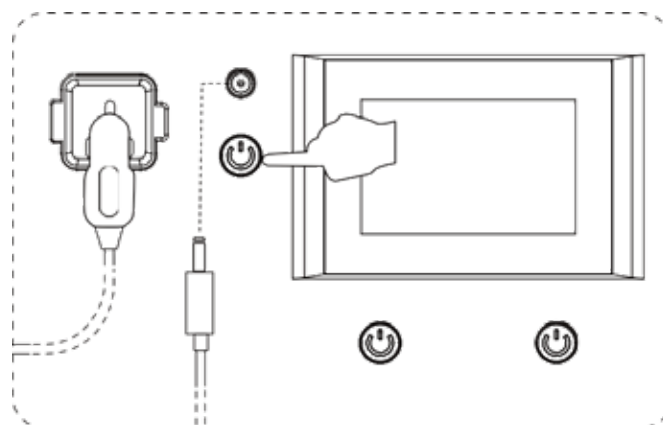
HOW TO USE USB OUTPUT

1. Long press the main power button to turn it on. The main power indicator and the screen lights up, enter the standby state.
2. Press the USB on/off switch to turn on the USB function.
3. Plug in the USB devices and start to use.



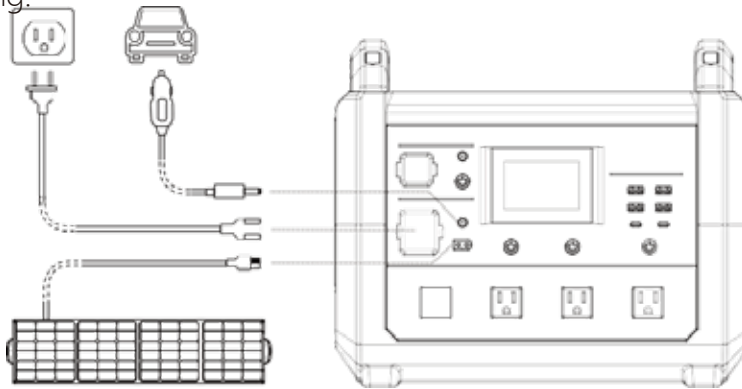
HOW TO USE DC OUTPUT

1. Long press the main power button to turn it on. The main power indicator and the screen lights up, enter the standby state.
2. Plug in the DC devices.
3. Press the DC on/off switch to turn on the DC function.
4. After use, press the DC on/off switch to turn off the DC output.
5. When not using the product for a long time please long press the main power switch for 3S to turn it off to save power.



HOW TO CHARGE

- > Please charge the TB1500 before using.
 - > Please fully charge the battery before long storage. Please check the TB1500 remaining power level every 3 months and fully recharge it again.
 - > There are 3 input ports on the Portable Power Station: 1* AC Input Port, 1* solar panel input port and 1* DC5521 port.
1. Super Quick charging Input (AC power supply can be used to charge Portable Power Station with a maximum power of 600W through the AC charging port.).
 2. Solar charging.
 3. Car charging.

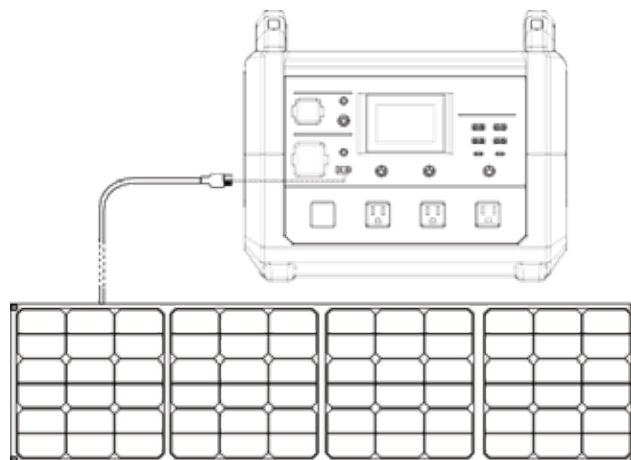


SOLAR PANEL SERIES/PARALLEL CHARGING

Portable Power Station support Solar Panel charging Max 300W. You can purchase solar panels and dedicated cable accessories that match the Portable Power Station to achieve a high-power solar fast charging experience.

CAUTION

The maximum voltage of solar panels that Portable Power Station can support is 30V, and the maximum current is 10A.



ATTENTION:

- **It must be charged by solar panels with a voltage lower than 30V.**
- **The input voltage exceeding 30V has the risk of damaging the product.**

FAQS

1. Can the product be taken on the plane?

No, because this product is a product with battery, according to international air transportation standards and regulations, battery capacity products cannot exceed 100Wh.

2. The consumers' power is within the rated output power range of the Portable Power Station but cannot be used?

Because the product has low power, it needs to be fully recharged and used again.

3. Why is there a noise sometimes.

Because this product uses an air-cooled system, the built-in fan can better help the product to dissipate heat, so it is normal for a slight noise to occur.

4. How do I store the product when it's not in use?

The portable power station needs to be stored in a dry environment, and the correct storage method can prolong the service life of the portable power station.

5. How do I clean the product if it is dirty?

Please use a dry non-abrasive cloth to wipe. Do not wipe directly with a wet cloth or chemical solvent. If you want to wipe it more cleanly, we recommend that you use a cotton swab with a small amount of absolute alcohol to wipe. Do not expose the product to large amounts of water.

DAILY USAGE TIPS

1. This product uses high-quality original lithium-ion batteries, no memory effect, large capacity, and durable. Recommended to use it within the range of 10°C~30°C to get the best charging performance.
2. Please stay away from TV, radio, and other equipment to avoid interference when charging.
3. Please disconnect the power cord and keep it if this device is not in use for a long time.

CAUTION

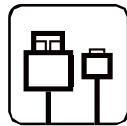
- 1) Do Not store this device together with coins, jewelry, keys and other metal objects to avoid short circuit.
- 2) Keep away from heat, don't throw it in fire water or other liquids, high temperature, including direct sunlight.
- 3) This equipment is not suitable for people with reduced physical, sensory or mental abilities or lack of experience and knowledge (including children), unless the person responsible for their safety supervises or guides their use of the equipment.
- 4) Children should be supervised and guided if to use this device, to avoid any safety issues.
- 5) The device may become hot while charging, which is normal. Do not cover the device with towels, clothing or other items.
- 6) Please dispose of the waste according to the regulations, and do not dispose of

the built-in battery as domestic garbage to avoid explosion.

- 7) This product is only used for emergency energy storage power supplies and cannot replace standard DC or AC power supplies for household appliances or digital products.
- 8) There is a non-removable rechargeable battery inside your device. Do not try to remove the battery, otherwise the device may be damaged.



Recharge device every 3 months



Use original certified cable



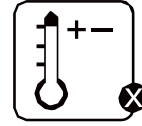
No contact with liquids



Do not disassemble



Prevent from falling



Prevent from high temperature

Supplied by: SuperCharge Batteries P/L
1A Reconciliation Rise, Pemulwuy
NSW 2145 Australia
1 300 228 888
www.supercharge.com.au

Unit B, 72 Highbrook Drive, East Tamaki
Auckland 2013, New Zealand
0800 188 122
www.superchargebatteries.co.nz